

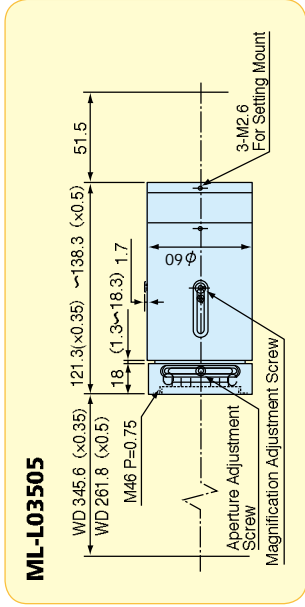
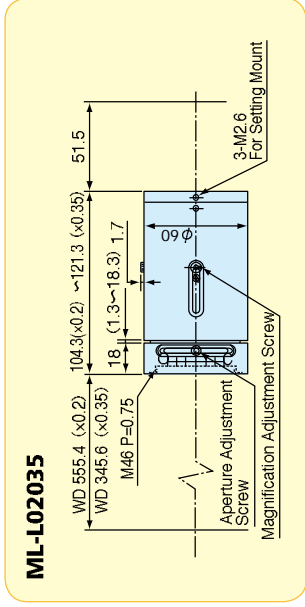


Line CCD Lenses

Line Scan CCD Lens Series for 57mm Sensor

- Advanced optical design for maximum 8000-bit (57.3mm)
- Advanced optical design for 1" mega pixel (2 million pixels~) area CCD
- Designed with variable magnification (0.2x~0.35x or 0.35x~0.5x)
- Low chromatic aberration and low distortion
- Designed for various mountings

High performance Line CCD lenses for a maximum of 8000-bit (element length of 57.3mm) line sensor. Variable magnification by focus adjustment allows fine magnification setup with a flexible design. Outstanding performance is achieved by minimizing RGB color chromatic aberration and distortion. Various mounts can be chosen with all options. This series is designed not only for the maximum of ϕ 57mm (7 μ m/Pix) image format, but also for the large width CCD Sensor (max 40mm \square).

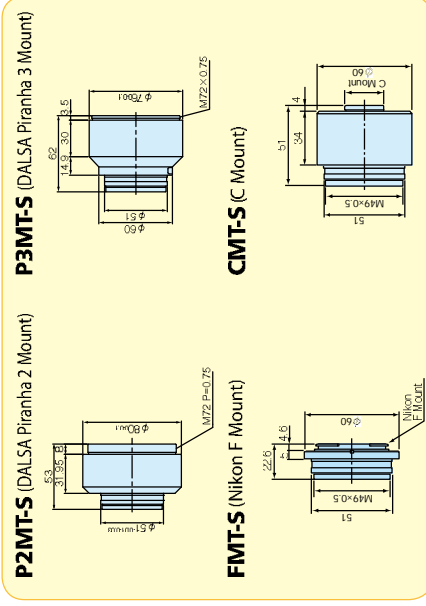
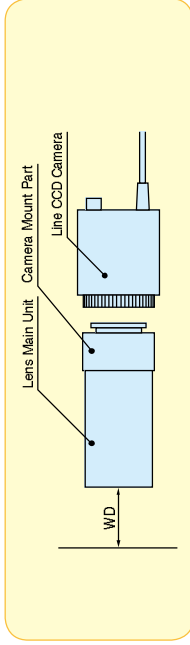


Model	Focal Distance	Magnification	WD	Effective Fno	TV distortion	O/I	External Diameter	Weight	Effective Image Size	Mount	Product Code
ML-L02035	100mm~ 102mm	0.2x - 0.35x	555.4mm - 345.6mm	F5.8 - 36.6	0.10%	711.2~ 518.4	60	750g	ϕ 57.3mm	Mount Adapter ML-MTS	A-0184
ML-L03505	102mm~ 103mm	0.35x - 0.5x	345.6mm - 261.7mm	F6.6 - 41	0.10%	518.4~ 451.6	60	800g	ϕ 57.3mm	Mount Adapter ML-MTS	A-0185

*Depth of field is calculated based on resolution.

*Resolution values indicate the theoretical resolution at a wavelength of 550nm.

Camera Mounts (Optional)



Model	Product Code	FMTS	CMTS
DALSA Piranha 2 Mount	A-0195	DALSA Piranha 2 Mount	C Mount
DALSA Piranha 3 Mount	A-0196	DALSA Piranha 3 Mount	C Mount
DALSA Piranha 3 Mount	A-0193	Nikon F Mount	C Mount
DALSA Piranha 3 Mount	A-0194	A-0193	A-0194

* Made e-to-order product

*Moritex can also provide mounts from various other manufacturers.

